



OM240A02 inches **70 X 34 X 24** mm 1778 X 864 X 610

2 symmetrical ergonomic backrests

HOME 2

**TOP** in 68 x 32  
**INTERIOR DIMENSIONS** mm 1727 x 812

**BOTTOM** in 52 3/4 x 22  
**INTERIOR DIMENSIONS** mm 1340 x 559

**INTERIOR DEPTH** in 17 1/4 to 21 1/4  
mm 438 to 540

**WALL THICKNESS** in 1  
mm 25,4

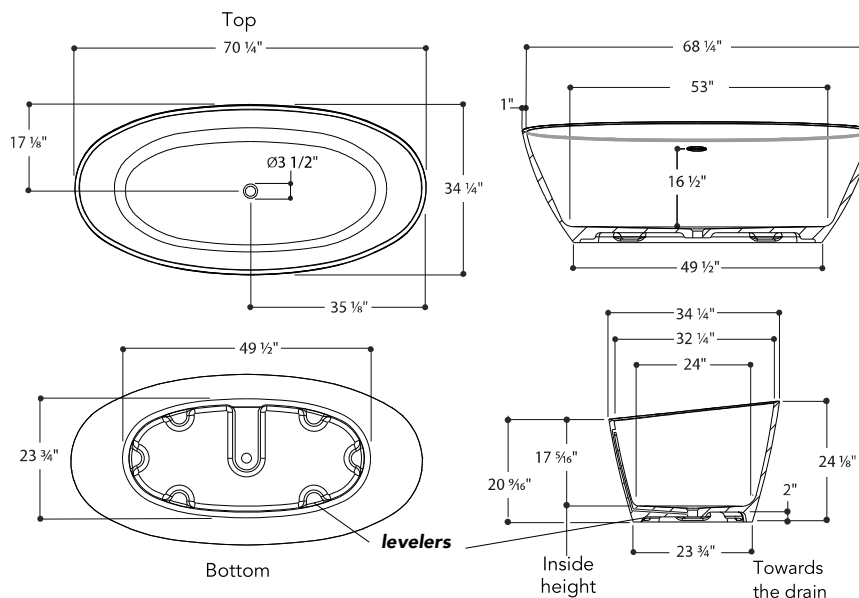
**MATERIAL** UNIMAR+ white U-00

**WATER CAPACITY** 90 gal/343 L including 1 person

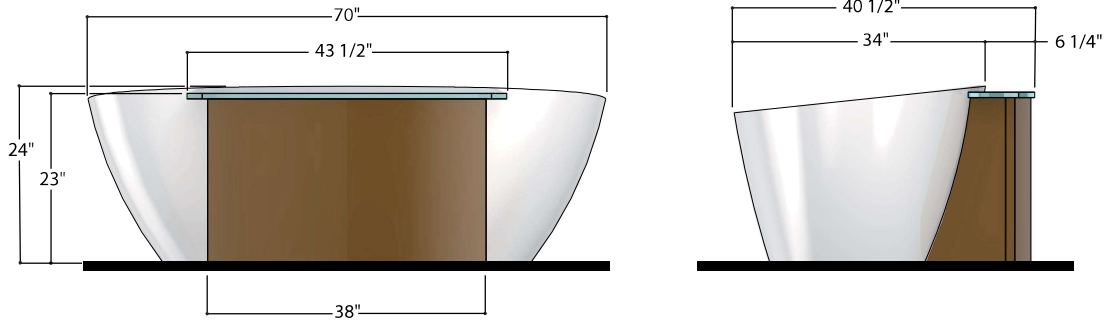
**WEIGHT** 192 lb without packaging

**INSTALLATION** Free-standing for floormount faucet (not included).

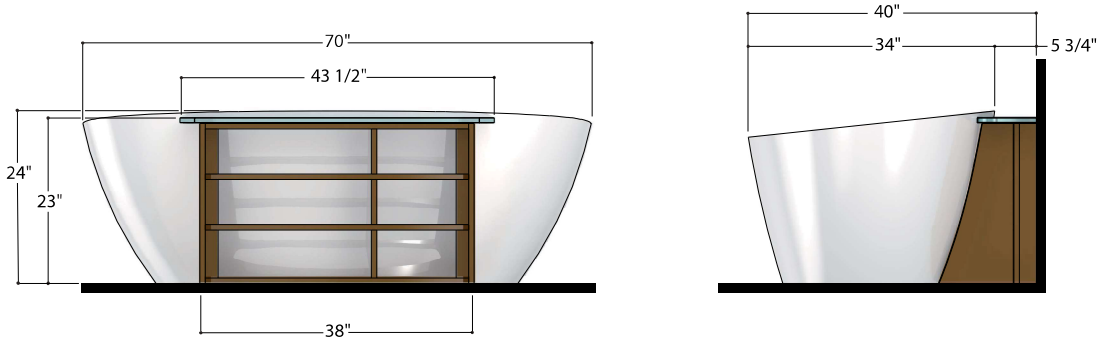
Levelers under the base for quick and accurate adjustments.



**CURVED SHAPE MODULE FOR FREE-STANDING BATHTUB**



**STRAIGHT MODULE FOR INSTALLATION AGAINST A WALL**



**BATHTUB CADDY**

