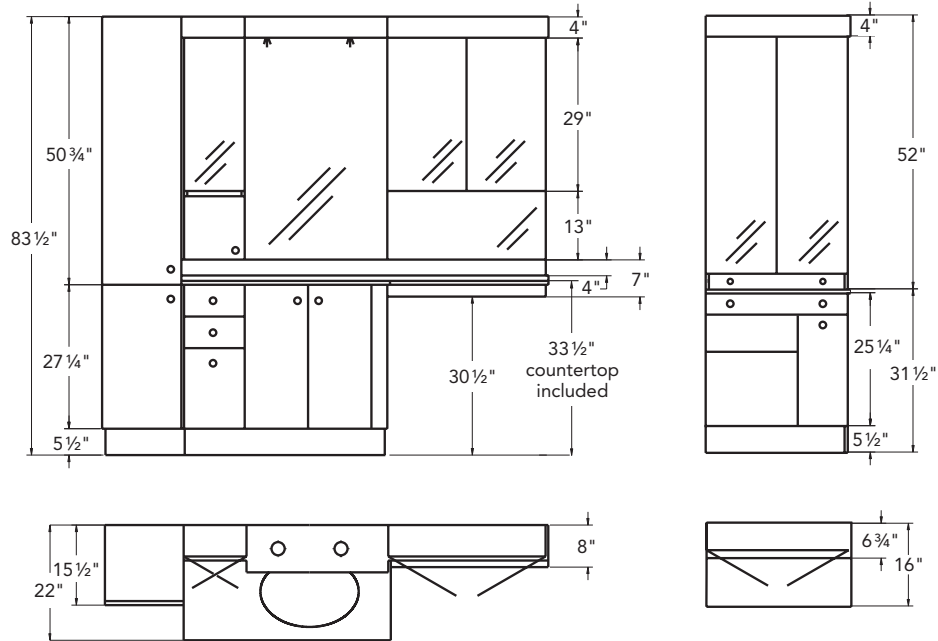


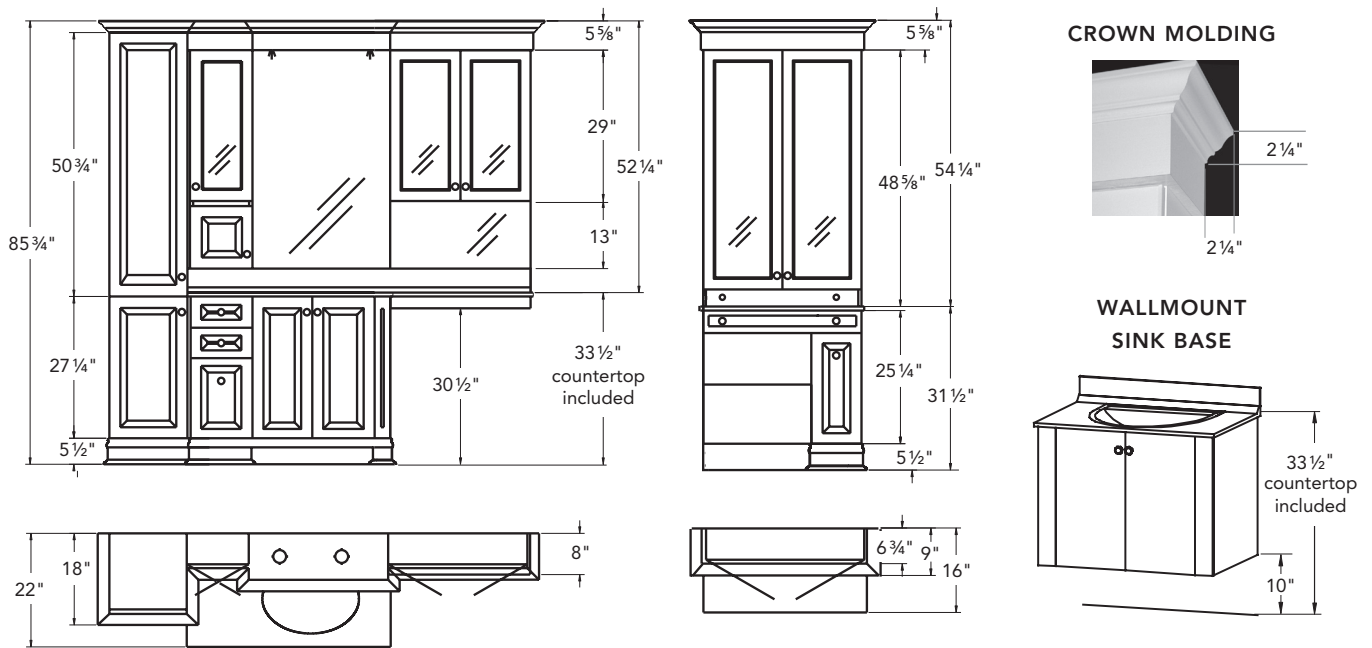
# CLASSIC | SELECTION

## DIMENSIONS, ELECTRICAL AND PLUMBING

### CONTEMPORARY STYLE



### SHAKER OR HERITAGE STYLE



Only the Heritage style furniture made in satin lacquer, MDF wood or solid wood have the decorative appliqué on the light bridge.

# CLASSIC | SELECTION

## DIMENSIONS

Bring out a 110V wire with a bipolar connector connected to the main switch. To connect the plug of the main lighting unit.

The back of the lighting unit will have to be cut.

