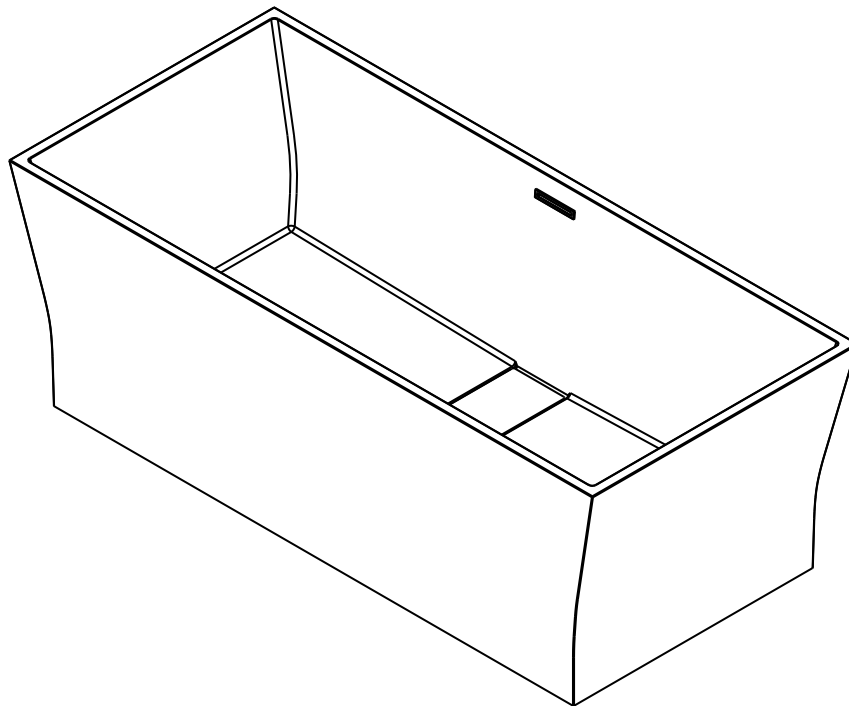


General considerations:

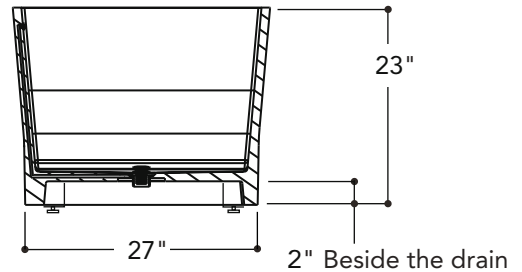
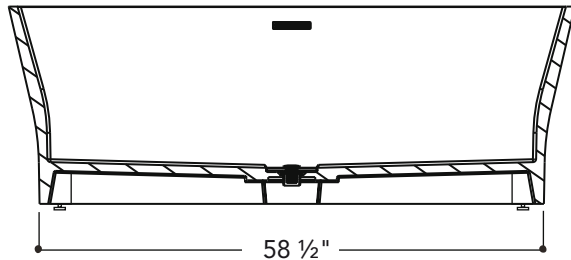
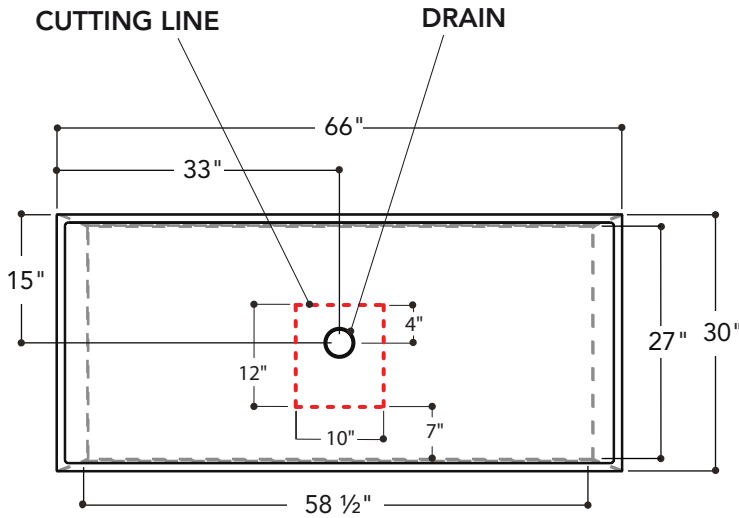
- 1- We strongly recommend to have access from the floor below, it will help you to connect the piping much more easily. Connecting without having access is also possible.
- 2- Determine the location of the bathtub, taking the position for the faucets into account as well as the water supply piping and the drain .
- 3- Install the plumbing and drainage before securing the unit in place.
- 4- Before cutting a hole in the in the floor for drain piping, ensure the space is free of pipes, floor joists, heating ducts and electrical wires. If the location for the bathtub is not free of these please contact a building structure expert prior to cutting any joist.
- 5- It is recommended to have the plumbing installed by a professional plumber.



FREESTANDING BOX BATHTUB
FB040B00

Floor opening: FREESTANDING BOX BATHTUB FB040B00

- 1- Determine the position of the bathtub allowing enough space for the plumbing and making sure that the drain and plumbing are not directly above the floor joists.
- 2- On the floor, trace the bottom of the bathtub (length & width) and mark the position of the drain . Next, mark the cutting line around the drain for connection for the piping, the drain and p-trap. Cut the opening in the floor along the red mark as shown.



1- Place the female part (2) of the expansion joint as shown (Fig.1). Make sure it is flush with the finished floor. Use the steel trap to fasten the expansion joint to the joists.

2a- Next, lay the bathtub on its side carefully to prevent scratches. Take the measurement of distance "D" from the bottom of the drain to the bottom of the bathtub (Fig.2). Cut the male part of the expansion joint (1) halfway to the female part (2).

If you don't have access from the room below:

2b- Before placing the bathtub, insert the male part of the expansion joint (1) halfway to the female part (2).

3b- Place the bathtub by raising it up 3 1/2" with 4X4 pieces of lumber so you can still have access from the bottom of the bathtub to the expansion joint(1) (fig.3). From the bottom of the bathtub, tighten the collars of the expansion joint (1) to the drain (3) (don't forget to use the seal washer in between). Tighten the collars of the expansion joint (2) just tight enough so the male part (1) can still slide in. (Fig.3)

4- Fill the water in the bathtub and let it drain out. From the bottom, make sure that all the joints are watertight.

5- Move the bathtub down slowly by removing the pieces of lumber. Fill the spaces with silicone.

