

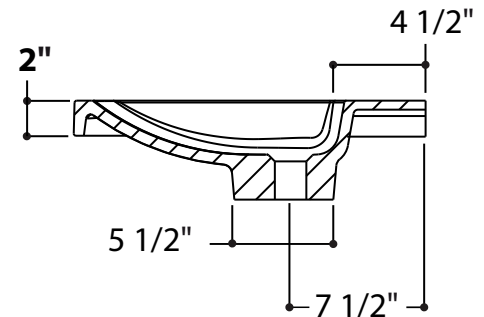
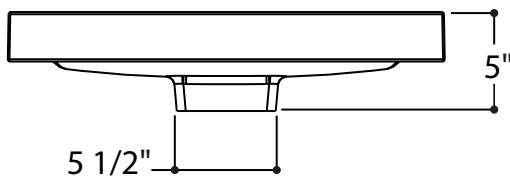
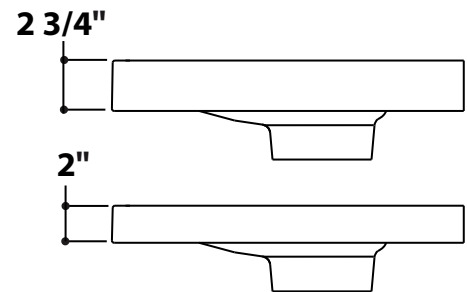
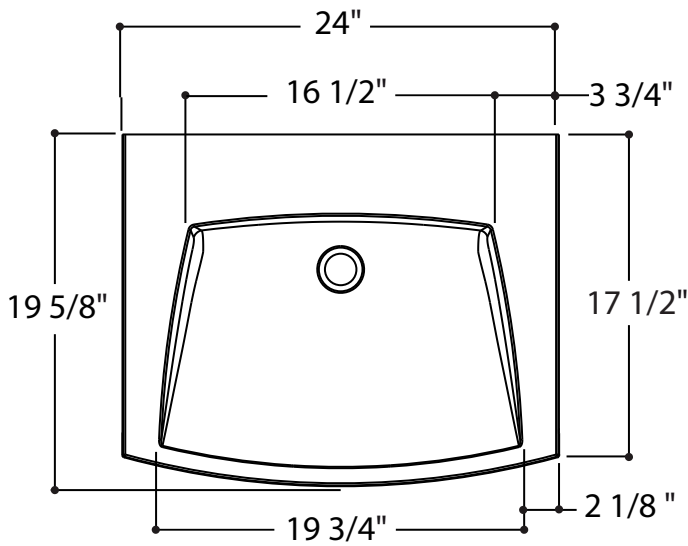
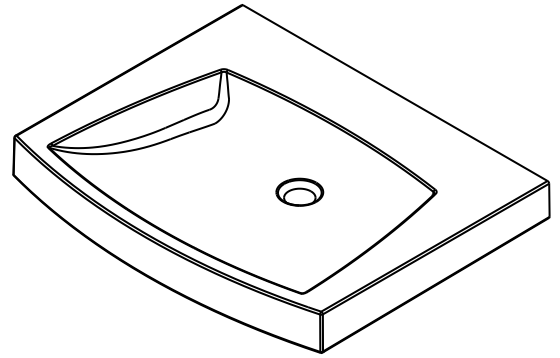
**Description:**

Above-counter sink.

**Features:**

- Exterior dimensions: W 24" X D 19 5/8" X variable height.
- Thickness: 5/8"
- Weight: height 2 in: 23.2 lb  
height 2 3/4in: 24.5 lb

**Material:** Unimar 3.0 White U-00



**Description:**

Above-counter sink.

**Features:**

- Exterior dimensions: W 42" X D 19 5/8" X variable height.
- Capacity: 2,9 gal/11 L
- Thickness: 5/8"
- Weight: height 2 in: 31.8 lb  
height 2 3/4in: 33.3 lb

**Material:** Unimar 3.0 white U-00

